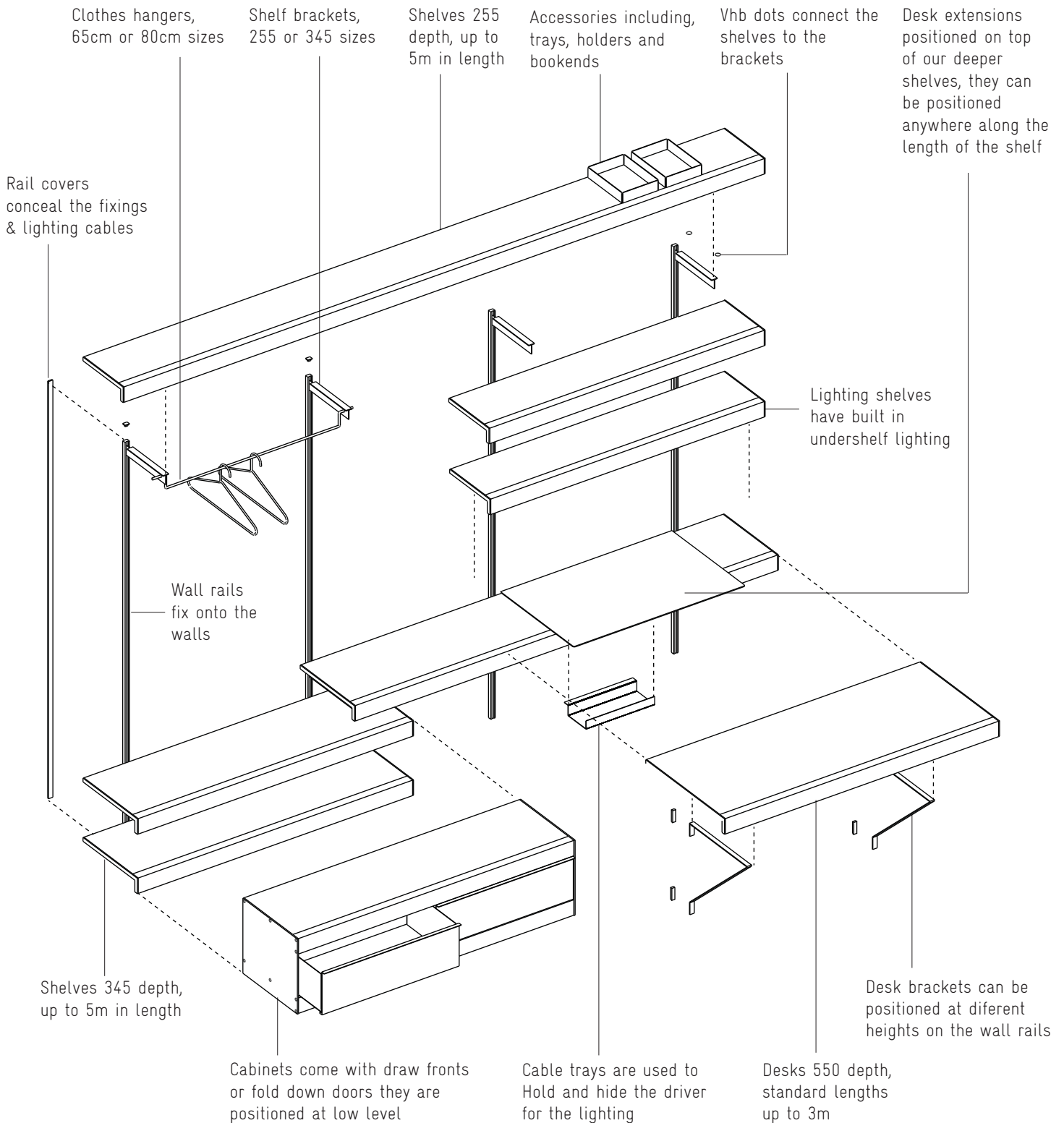


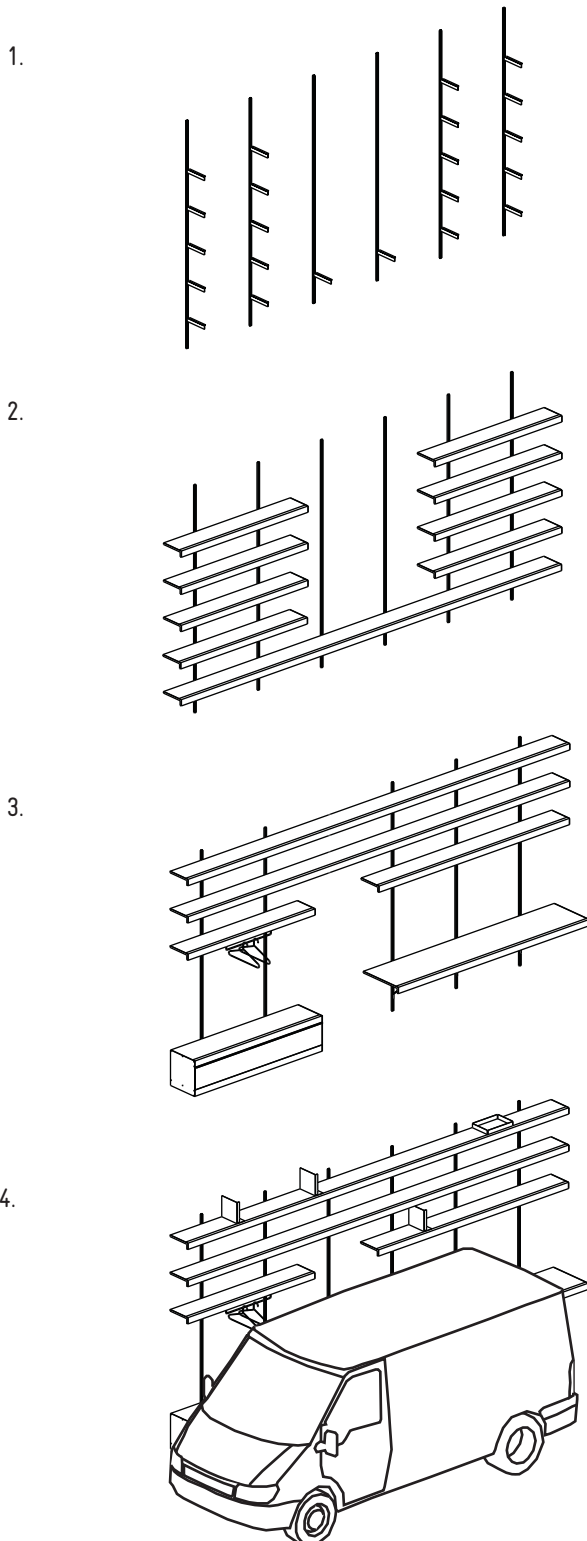


We've combined the best of both worlds, mass produced modular components with a made to measure service. This means you get the simplicity of production, consistency of parts with the bespoke and tailored service of a cabinet maker.

Our system fixes to the wall and then different parts can be added to create your own unique system depending on what your need.



Our shelving system's maximum size for a single system is 5 metres long and 2.4 metres high, but can be configured to any size. Selecting different lengths, depths, finishes and colour combinations gives you a flexibility to suit your space.



STRONG FIXINGS

Our adjustable wall fixings and shelves are incredibly strong. They are designed to hold heavy books and our shelves do not bow or warp. You can even re-adjust the heights between shelves after installation.

MADE TO MEASURE

Every system we produce is unique and designed specifically for you. Our made to measure service ensures you're making the most of your space as our shelves and wall rails can be cut to any size. Single shelves are up to 5 metres in length and systems can be up to 2.4 metres high.

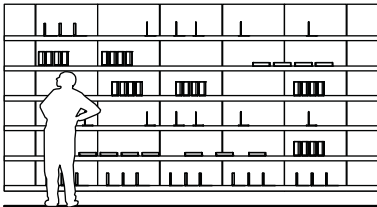
NOT JUST SHELVES

We have a free of charge planning service where we can set out and design a system for you. Our planners can help you select the right shelves, but also give advice about our desks, cabinets and hangers. Our standard finishes are black or white but you can also select wood, lighting or colour finishes.

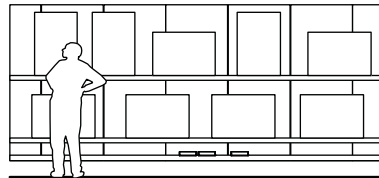
EASY INSTALLATION

Our system is easy to install and we supply all the fitting instructions and wall fixings. Our systems are designed to be fitted to nearly every type of wall and by any competent handyman or builder. We provide a UK installation service and worldwide delivery.

Below we have illustrated a number of examples of how our shelving can be configured. They span across a variety of workspace, domestic and commercial environments. They demonstrate how they can be laid out showing; different sizes, spacing and shelf lengths.



OFFICE ORGANISATION



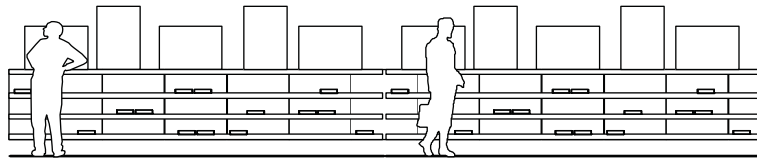
WORKSPACE PRESENTATION WALLS



WALL TO WALL WITH DOOR ACCESS



EXHIBITIONS & RETAIL SPACES



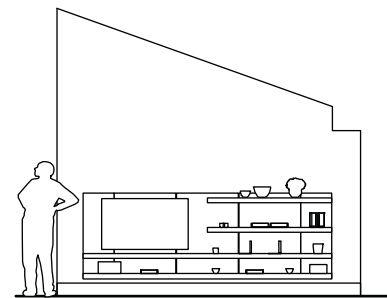
LARGE OFFICE FORMATS



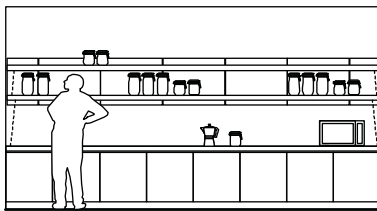
DOMESTIC SMALL ALCOVES



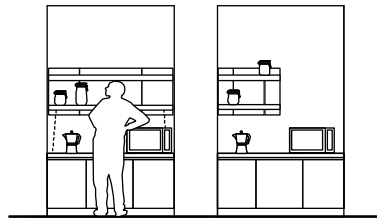
DOMESTIC LARGE ALCOVES



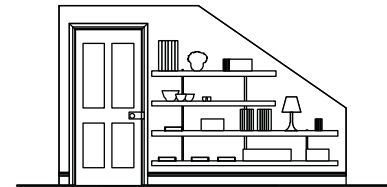
DOMESTIC TV DISPLAYS



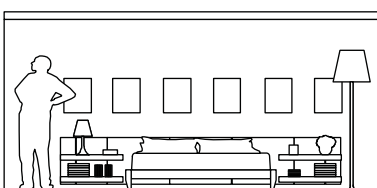
KITCHENS ABOVE WORK SURFACES



WALL TO WALL ADDITIONAL STORAGE



BASEMENT & LOFT CONVERSIONS



BEDSIDE LOW LEVEL SHELVING



HOME OFFICE WORKSTATIONS



AUDIO DISPLAY SYSTEMS

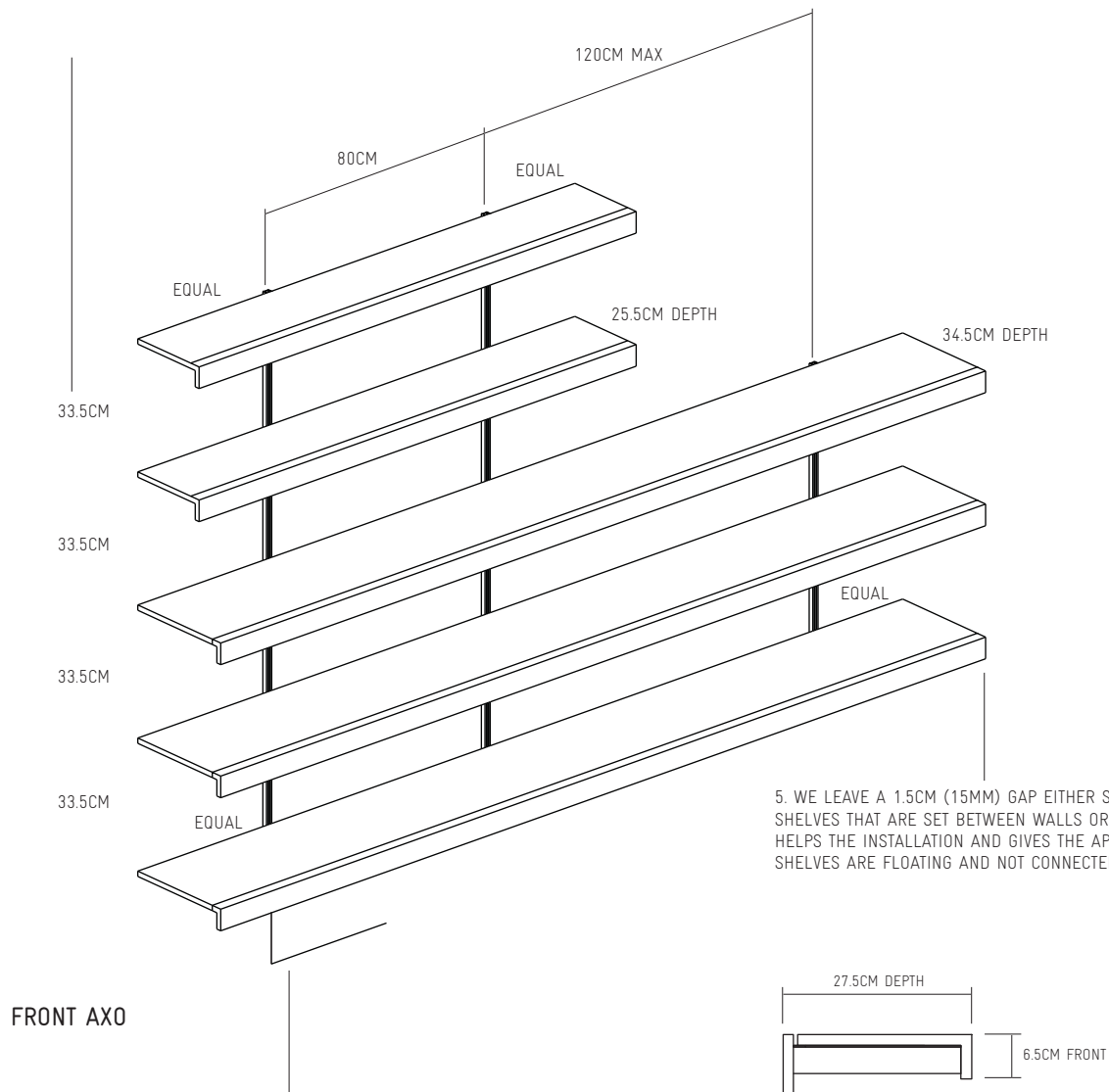
The system can take very heavy loads, but its strength does depend on the quality of the installation, quality of wall and fixing method. We recommend that all the fixing points on the wall rails are used (every 15cm) and that the appropriate fixing is used for your wall type, please see our wall types & Installation Guide. Brackets are designed to take a 20kg load so when using your shelves aim to load the shelf equally along its length.

NB* You must not sit or stand on any part of the shelving system.

1. OUR RECOMMENDED HEIGHT BETWEEN SHELVES IS 33.5CM (335MM). THIS ALLOWS FOR A4 DOCUMENTS TO BE POSITIONED VERTICALLY AND MOST BOOKS. ALTERNATIVELY THEY CAN BE POSITIONED AT ANY DISTANCE APART IN 5CM (50MM) INCREMENTS.

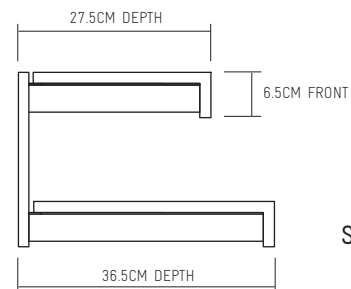
2. THE WALL RAIL CENTRES ARE POSITIONED 80CM APART AND THE SHELVES ARE CENTRED HORIZONTALLY ACROSS THEM.

3. WE WOULD NOT RECOMMEND SPANNING A DISTANCE GREATER THAN 1200MM BETWEEN THE WALL RAILS. ENSURE THE RAILS ARE SET OUT CORRECTLY SO THAT BOTH REMAINING ENDS OF THE SHELVES ARE EQUAL IN LENGTH AND OVER 8CM (80MM). THIS ENSURES STABILITY AND HELPS TO CREATE AN EQUAL LOAD.



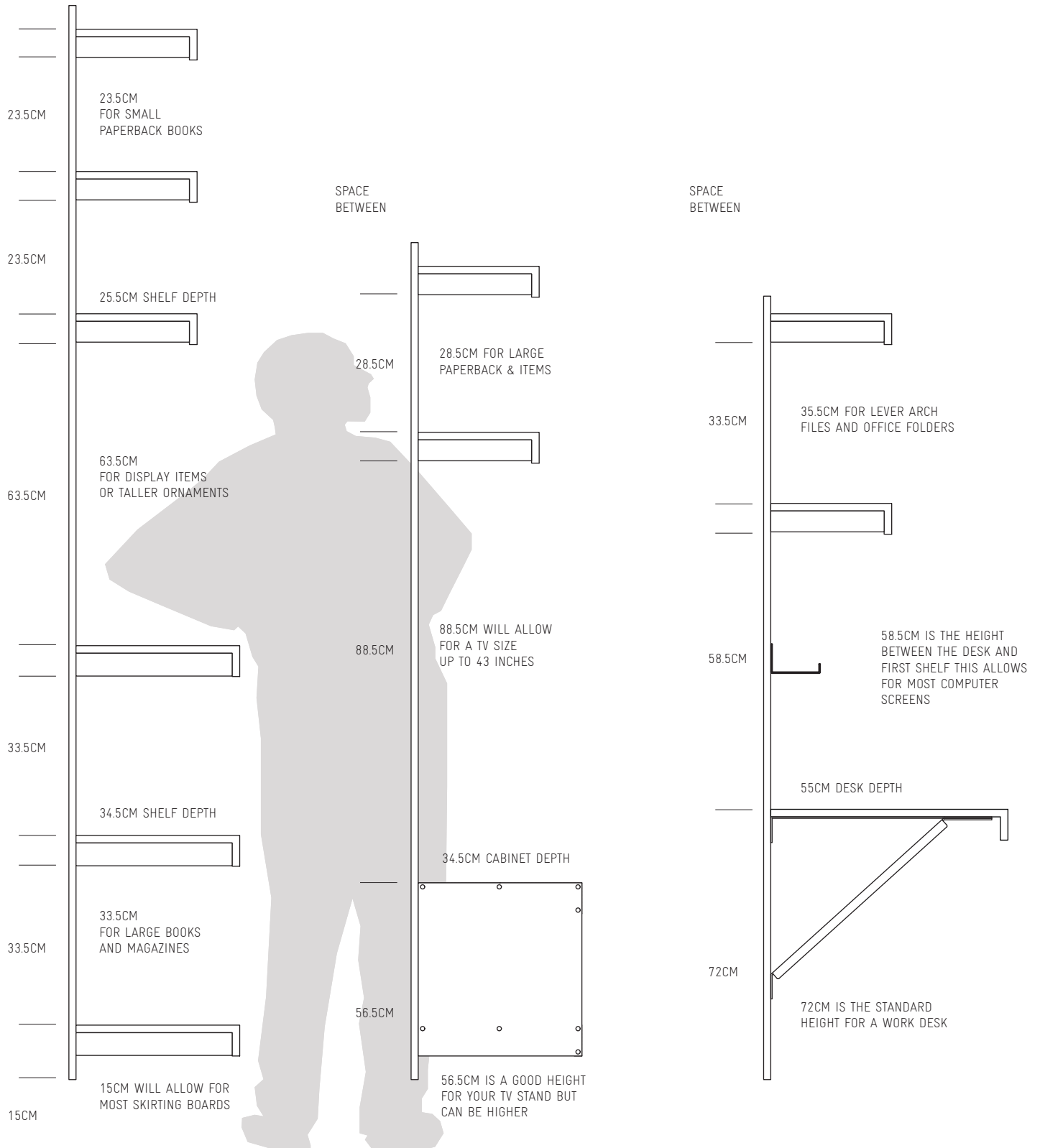
5. WE LEAVE A 1.5CM (15MM) GAP EITHER SIDE OF OUR SHELVES THAT ARE SET BETWEEN WALLS OR ALCOVES. THIS HELPS THE INSTALLATION AND GIVES THE APPEARANCE THAT THE SHELVES ARE FLOATING AND NOT CONNECTED TO THE WALL.

4. OUR LIGHTING SHELF USES LOW ENERGY LED STRIPS. THE LED CABLES ARE CONCEALED WITHIN THE SHELF AND RUN DOWN THE INSIDE OF A WALL RAIL. THE DRIVER THAT POWERS THE STRIPS CAN BE LOCATED ON THE UNDERSIDE OF THE BOTTOM SHELF OR FIXED TO THE WALL, BUT THE DRIVER DOES NEED TO BE CONNECTED TO A STANDARD POWER SOCKET (UK UNLESS REQUESTED).



6. SHELF DEPTH, ADD AN ADDITIONAL 2CM FOR THE WALL FIXINGS, THE TOTAL SHELF DEPTHS ARE 27.5CM AND 36.5CM FROM THE WALL TO FRONT FACE OF THE SHELVES.

Our system parts can be set out at different heights, they can move up or down the wall rail in 50mm/5cm increments; 13.5, 28.5, 33.5, 38.5, 43.5, 48.5, 53.5cm etc. Below we have shown as an example some of the heights we would recommend for different system types. Our maximum wall rail length is 240cm/ 2400mm.



1. SHELVING

2. SHELVING WITH CABINETS

3. SHELVING WITH DESKS

Our wall cabinets with fold down doors are made to measure and can be any length from 80cm to 160cm. In larger systems the cabinets can be added together or combined with draw cabinets to form longer systems. See below for different configurations. Standard finishes are white or black to match our shelves, alternatively our wood finishes can be added to the top front edge to match any wood shelves above.

A MINIMUM OF 2 X WALL RAILS ARE USED TO HANG EACH CABINET, THEIR SPACING CAN VARY FROM 55CM TO 120CM DEPENDING ON THE SYSTEM DESIGN

55.5CM - 120CM

SHELVES ABOVE CAN BE CUT TO SIZE TO MATCH THE CABINET LENGTH BELOW

CABINETS ARE CONNECTED TO THE WALL RAILS USING A MINIMUM OF 4 X 345 WALL BRACKETS

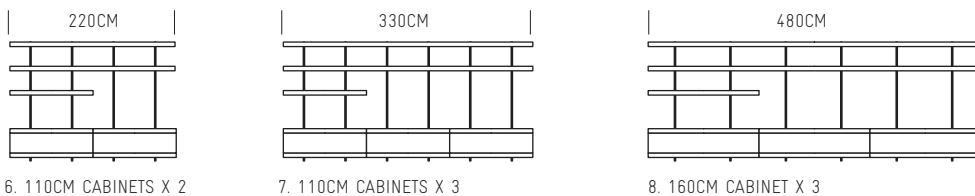
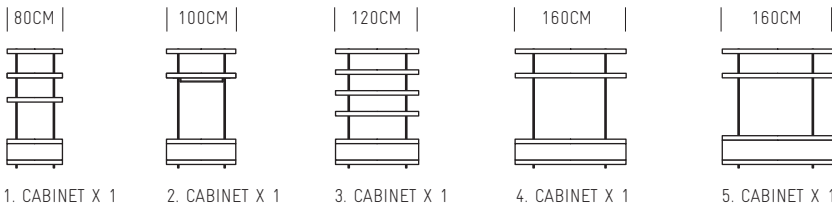
FOLD DOWN DOORS CABINETS HAVE BACKS THAT ARE OPEN TO ALLOW FOR CABLE MANAGEMENT AND ACCESS TO WALL PLUG SOCKETS OR SIMILAR

CABLES CAN BE FED BETWEEN THE CABINET AND WALL /1.5CM

34.5CM CABINET DEPTH

41.5CM OR 36.5CM HEIGHT

CABINETS WITH FOLD DOWN DOORS ARE MADE TO MEASURE AND CAN BE MADE TO ANY SIZE BETWEEN 80-160CM



Our wall cabinets lengths can be sized depending on the number and size of the draw. Our draws come in 2 x different widths, but can be multiplied to change the length of the cabinet. Standard maximum sizes for our cabinets are 240cm, specials can be longer. Cabinets are made from aluminium and finished white or black to match our shelves.

SHELVES ABOVE CAN BE CUT TO SIZE TO MATCH THE CABINET LENGTH BELOW

A MINIMUM OF 2 X WALL RAILS ARE USED TO HANG EACH CABINET, THEIR SPACING CAN VARY FROM 55CM TO 120CM DEPENDING ON THE SYSTEM DESIGN

55.5CM - 120CM

34.5CM CABINET DEPTH

CABLES CAN BE FED BETWEEN THE CABINET AND WALL /1.5CM

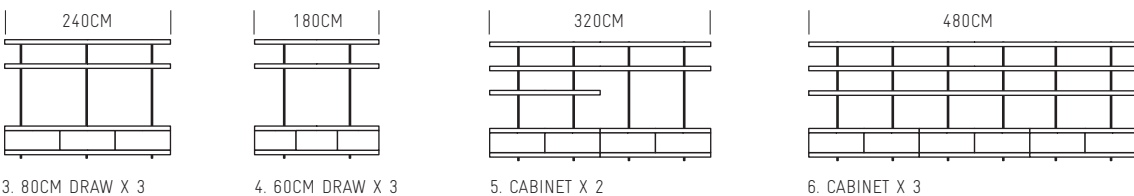
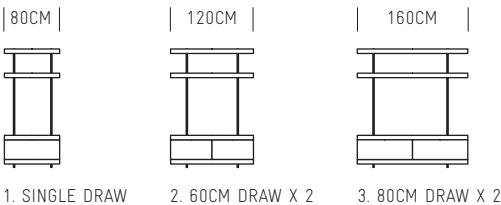
41.5CM OR 36.5CM HEIGHT

DIFFERENT DRAW SIZES CAN BE USED TO CHANGE THE LENGTH, 60CM OR 80CM DRAWS

CABINETS ARE CONNECTED TO THE WALL RAILS USING A MINIMUM OF 4 X 345 WALL BRACKETS

SPACE IS ALLOWED BEHIND THE DRAWS FOR STANDARD WALL SOCKETS & PLUGS ALTHOUGH ACCESS IS EASIER THROUGH A FOLD DOWN DOOR CABINET

INTERNAL DRAW SIZES
 80CM DRAW - D31CM X W77CM X H27/23CM
 60CM DRAW -D31CM X W57CM X H27/23CM



Our desks are made to measure and great for fitting between walls or in alcoves, standard sizes vary between 80cm and 300cm but can be longer. Desk finishes are black or white and our wood fronts can be added to the white desk to match any wood shelves above. See some of our configurations below:

SHELVES ABOVE CAN BE CUT TO SIZE TO MATCH THE DESK LENGTH BELOW

EVERY DESK IS HUNG FROM THE WALL RAILS USING A MINIMUM OF 2 X WALL RAILS, THEIR SPACING CAN VARY FROM 65CM TO 100CM DEPENDING ON THE SYSTEM DESIGN

65CM - 100CM

UNDERSHELF LIGHTING CAN BE ADDED TO THE SHELF ABOVE THE DESK

55CM DESK DEPTH
57CM INCLUDING FIXINGS

CABLES CAN BE FED BETWEEN THE DESK AND WALL /1.5CM

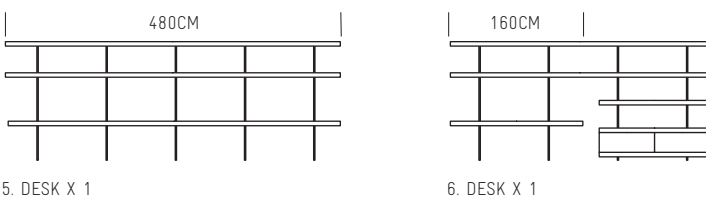
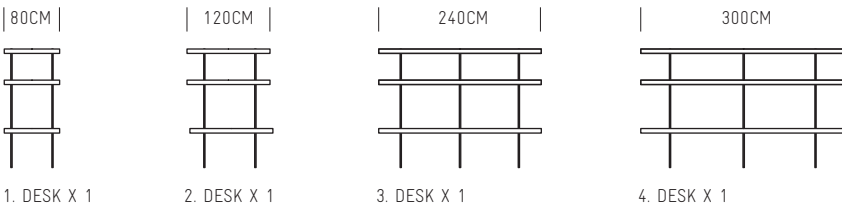
72CM RECOMMENDED HEIGHT

OUR CABLE TRAYS CAN BE CONNECTED BELOW THE DESK TO TIDY UP YOUR WIRES. THEY CAN HOLD AN EXTENSION CABLE WITH PLUGS AND EXCESS CABLING (50CM LENGTH)

DESKS CAN BE MADE UP TO 300CM IN LENGTH, SPECIALS CAN BE MADE LONGER

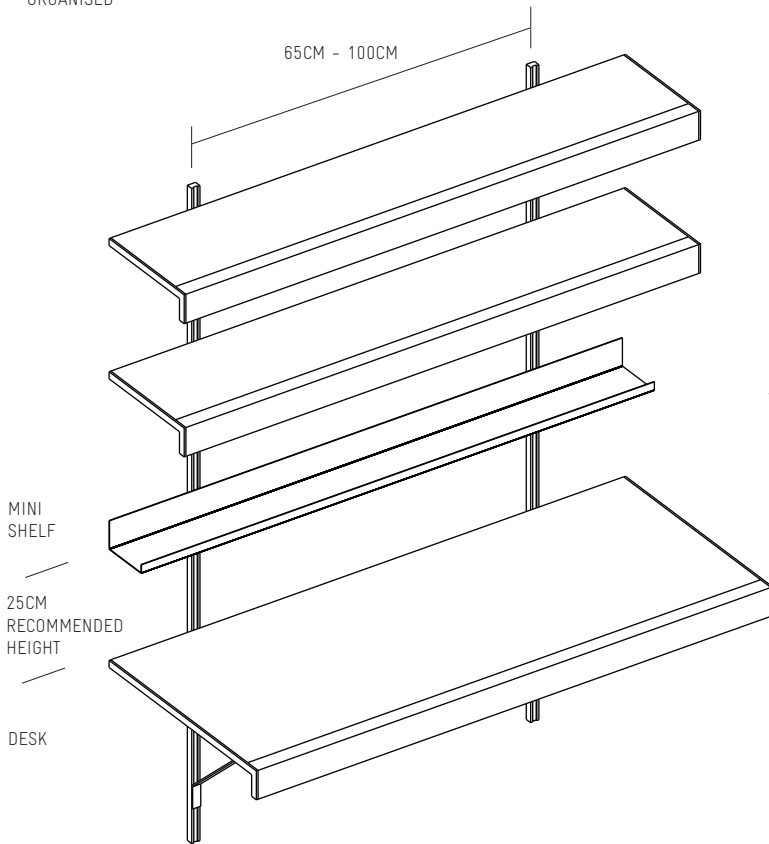
DESKS ARE CONNECTED TO THE WALL RAILS USING A MINIMUM OF 2 X DESK BRACKETS

DESKS ARE MADE FROM A COMBINATION OF ALUMINIUM FRONTS AND LAMINATED PLYWOOD TOPS.

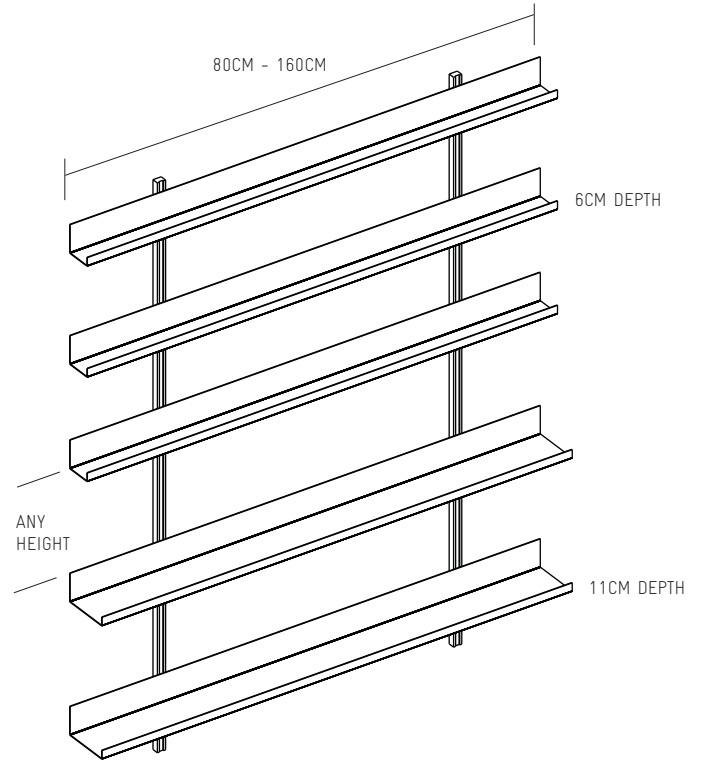


We make 2 depths of mini shelf, 6cm and 11cm, they are designed to display small items or books and vinyl. Manufactured from aluminium and powder coated white or black they are available in two lengths; 800 and 1600mm but can be cut to size. We are developing a number of products that can be added to the mini shelves including, pen pots and trays.

MINI SHELVES CAN BE ADDED TO EXISTING SHELVING SYSTEMS OR ADDED ABOVE A DESK TO ACT AS A DESK TIDY TO KEEP YOUR WORKTOP ORGANISED

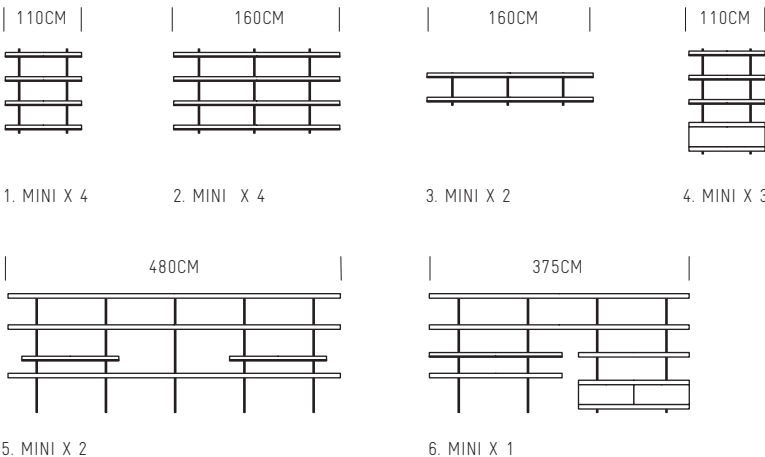


MINI SHELVES CAN BE USED ON THEIR OWN, CONNECTED TO OUR WALL RAILS USING A SPECIAL FIXING. THEY CAN BE MOVED UP OR DOWN TO ANY POSITION



THEY ARE CONNECTED TO A WALL USING A MINIMUM OF 2 X WALL RAILS

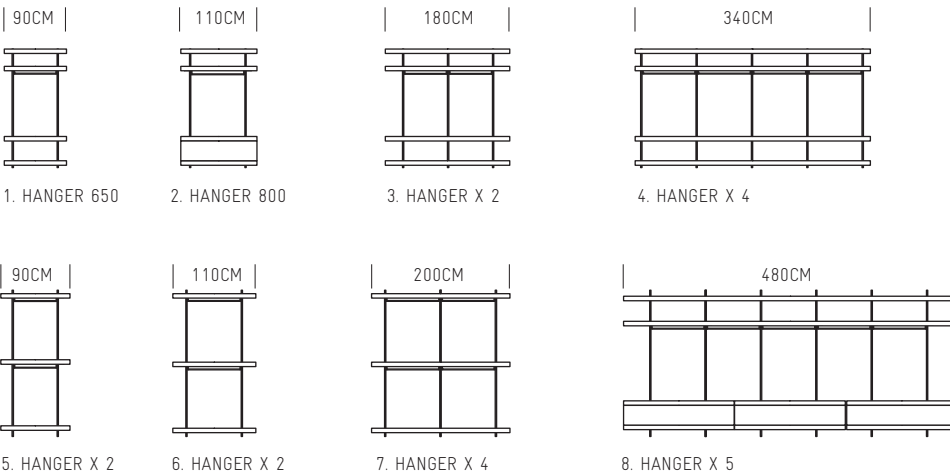
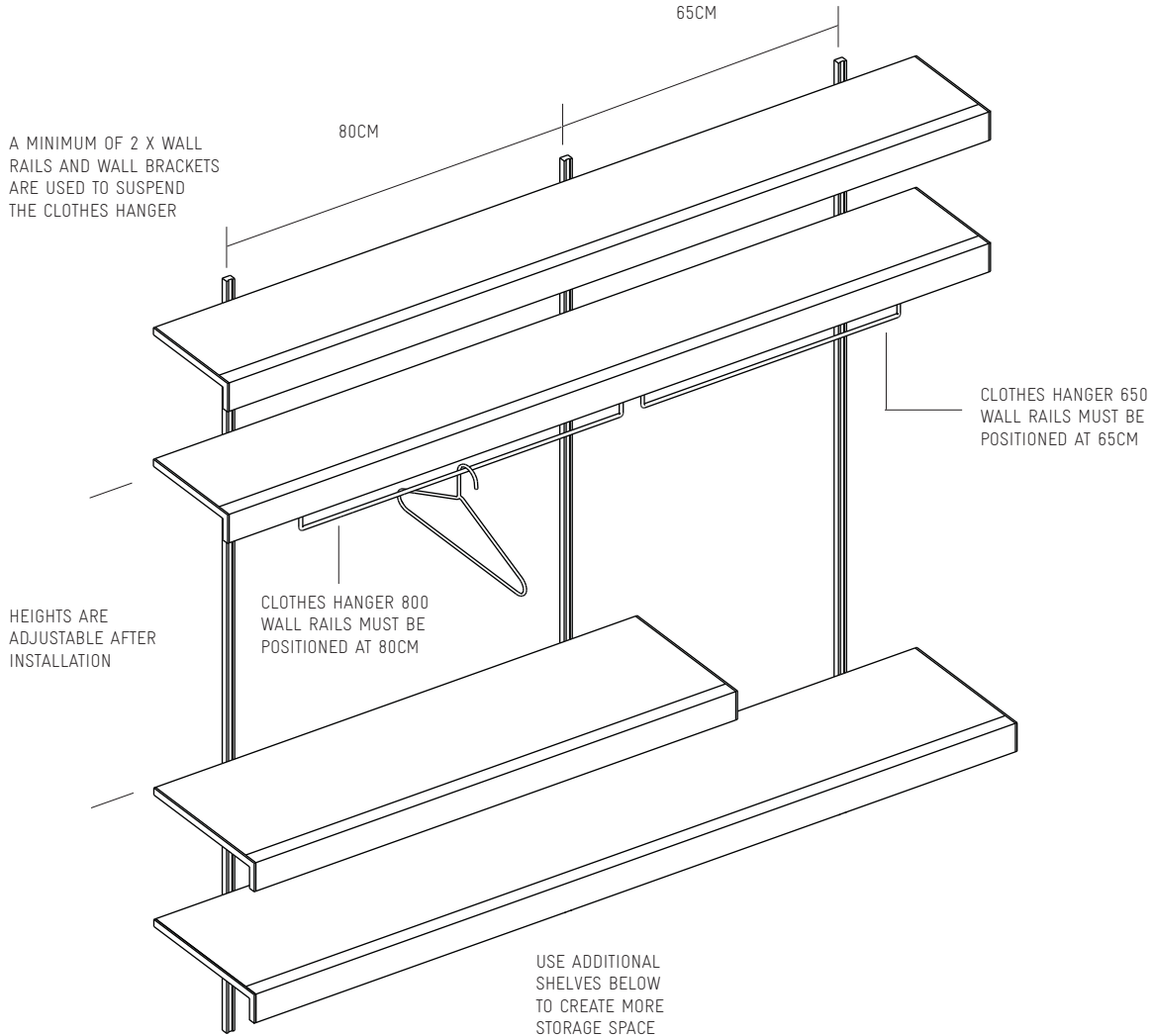
MINI SHELVES ARE MADE FROM ALUMINIUM AND FINISHED BLACK OR WHITE



We have two different length clothes rails 650 and 800 rails. Wall rails must be positioned at the correct distances apart to be able to fit the hangers. Hangers come in 2 x different finishes, black, white and chrome and can be fitted to both 255 and 345 deep shelves.

SHELVES CAN BE CUT TO SIZE TO MATCH THE CLOTHES HANGER LENGTH BELOW

CLOTHES HANGERS CAN BE USED WITH 255 AND 345 DEEP SHELVES AND ARE FITTED INTO THE HANGER WALL BRACKETS.



Use our free planning service, all we need to start is the height and width of your space and a rough idea of what you want to use the system for. Leave it to us and we'll send you drawings and quotes until you are happy. All free and easy, take a look below for more detail.



1. MEASURE YOUR SPACE

Measure the area where you want to position your shelving system. This should be two measurements, one for the width and one measurement for the height. A photograph or sketch is always useful too and you can download our measurement guide for more advice when measuring between walls.

2. TELL US WHAT YOU WANT

Tell us which shelving finish/s you are interested in, what you want to display or organise and if you would like cabinets, desks, lighting, supply only or if you need our installation service. Call us, email us or use our online shelfbuilder form to help (www.madebyonandon.com). You can also ask for samples or visit us at our London showroom to see the system.

3. PLAN WITH US

We have an expert team of planners who can help advise, set out and design your system completely free of charge. We do this via email or phone where we will provide drawings and costs to ensure the design is perfect for you. Changes can be made until you are happy with both the design and quotation.

4. PLACING YOUR ORDER

When you are ready to place the order we will send you an invoice, this will include our payment details. To place the order we require a 50% deposit and 100% payment before delivery. Our made to measure systems can currently take between 3-5 weeks to be dispatched. Once your system has been assembled in our workshop we will contact you to arrange delivery. Please confirm lead times with your planner if placing a large order of systems.

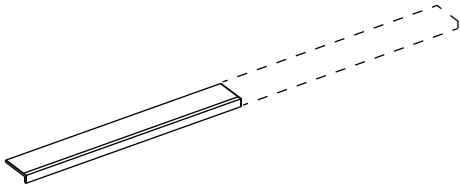
5. DELIVERY

As all of our orders are unique, delivery prices will be confirmed during the quotation stage. UK charges vary between £10-100 for a one man delivery depending on the size, quantity of order and your location. Orders of long shelving may require up to two people to deliver and can cost more. A signature is required by the receiver and packages will arrive during business hours 9am – 5.30pm to your ground floor front entrance.

6. INSTALLATION

Our shelving systems are easy to install and we provide the setting out drawings and fixings for your walls (see our installation guide). If you do not want to install the system yourself, a competent builder or handyman will be able to fit your shelving system. Alternatively we can provide a cost for our installation team, please provide your address at the quotation stage so that we can check if our installation service is available in that area.

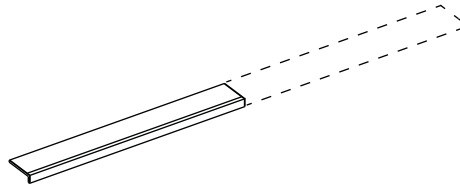
Our shelves come in two depths 25.5cm & 34.5cm. Prices are shown per metre of shelf length but are quoted in 10cm increments. They are then cut to size free of charge. Our standard shelves are white or black and are also available with solid wooden fronts (W) or with continuous integrated low energy lighting (L).



STANDARD SHELF (S255)

LENGTH: 50CM(500MM)-500CM(5000MM)
 DEPTH: 25.5CM(255MM) 27.5CM INCLUDING FIXINGS
 FINISH: SATIN WHITE POWDER COATED
 FIXINGS: RAILS & BRACKETS, BLACK, WHITE OR SILVER
 LOADING: DESIGNED FOR HEAVY BOOKS
 MATERIAL: ALUMINIUM

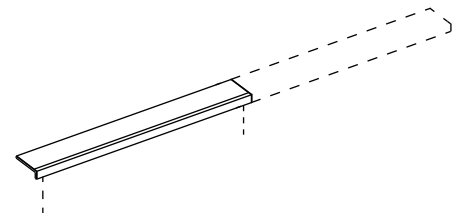
PRICE: £90 PER L/METRE INC VAT



WOOD SHELF (W255)

LENGTH: 50CM(500MM)-500CM(5000MM)
 DEPTH: 25.5CM(255MM) 27.5CM INCLUDING FIXINGS
 FINISH: SOLID WOOD FRONTS & WHITE POWDER COATED
 FIXINGS: RAILS & BRACKETS, BLACK, WHITE OR SILVER
 LOADING: DESIGNED FOR HEAVY BOOKS
 MATERIAL: WALNUT, OAK OR DOUGLAS FIR & ALUMINIUM

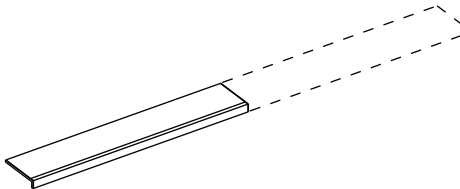
PRICE: £114 PER L/METRE INC VAT



LIGHTING SHELF (L255)

LENGTH: 50CM(500MM)-500CM(5000MM)
 DEPTH: 25.5CM(255MM) 27.5CM INCLUDING FIXINGS
 FINISH: SATIN WHITE POWDER COATED
 FIXINGS: RAILS & BRACKETS, WHITE, BLACK OR SILVER
 LOADING: DESIGNED FOR HEAVY BOOKS
 MATERIAL: ALUMINIUM
 LIGHTING: LED WHITE 3000K / 9.6W/M
 WIRING: CONCEALED SEE INSTALLATION GUIDE

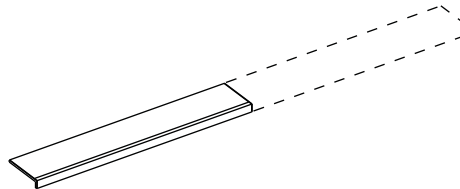
PRICE: £108 PER L/METRE INC VAT



STANDARD SHELF (S345)

LENGTH: 50CM(500MM)-500CM(5000MM)
 DEPTH: 34.5CM(345MM) 36.5CM INCLUDING FIXINGS
 FINISH: SATIN WHITE POWDER COATED
 FIXINGS: RAILS & BRACKETS, WHITE, BLACK OR SILVER
 LOADING: DESIGNED FOR HEAVY BOOKS
 MATERIAL: ALUMINIUM

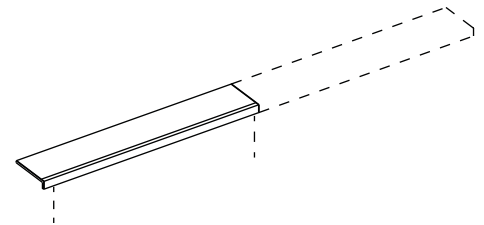
PRICE: £114 PER L/METRE INC VAT



WOOD SHELF (W345)

LENGTH: 50CM(500MM)-500CM(5000MM)
 DEPTH: 34.5CM(345MM) 36.5CM INCLUDING FIXINGS
 FINISH: SOLID WOOD FRONTS & WHITE POWDER COATED
 FIXINGS: RAILS & BRACKETS, WHITE, BLACK OR SILVER
 LOADING: DESIGNED FOR HEAVY BOOKS
 MATERIAL: WALNUT, OAK OR DOUGLAS FIR & ALUMINIUM

PRICE: £138 PER L/METRE INC VAT



LIGHTING SHELF (L345)

LENGTH: 50CM(500MM)-500CM(5000MM)
 DEPTH: 34.5CM(345MM) 36.5CM INCLUDING FIXINGS
 FINISH: SATIN WHITE POWDER COATED
 FIXINGS: RAILS & BRACKETS, WHITE, BLACK OR SILVER
 LOADING: DESIGNED FOR HEAVY BOOKS
 MATERIAL: ALUMINIUM
 LIGHTING: LED WHITE 3000K / 9.6W/M
 WIRING: CONCEALED SEE INSTALLATION GUIDE

PRICE: £132 PER L/METRE INC VAT

Wall rails come in five standard sizes (*NB our longest rail length can be 240cm) and we can then cut to any size free of charge. Wall brackets are slotted into the rail from the top or bottom. Brackets are adjustable vertically by 5cm increments along the wall rail. They are both available in black, white or silver (anodised aluminium).



WALL RAIL 2065

SIZE 206.5CM
FINISH SILVER, WHITE, BLACK

£34.80 INC VAT EACH



WALL RAIL 1665

SIZE 166.5CM
FINISH SILVER, WHITE, BLACK

£28.80 INC VAT EACH



WALL RAIL 1265

SIZES 126.5CM
FINISH SILVER, WHITE, BLACK

£22.80 INC VAT EACH



WALL RAIL 865

SIZES 86.5CM
FINISH SILVER, WHITE, BLACK

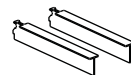
£16.80 INC VAT EACH



WALL RAIL 465

SIZES 46.5CM
FINISH SILVER, WHITE, BLACK

£10.80 INC VAT EACH



SHELF BRACKET

FINISH SILVER, WHITE, BLACK
255 & 345 SHELVES

255 - £7.20 INC VAT EACH
345 - £10.80 INC VAT EACH

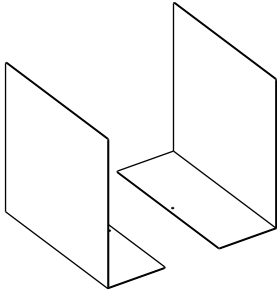


END CAPS

FINISH SATIN WHITE
255 & 345 SHELVES

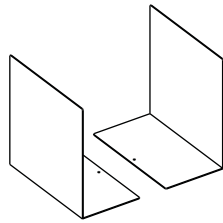
255 - £1.20 INC VAT EACH
345 - £2.40 INC VAT EACH

Our accessories are all made from aluminium and finished white. They have been designed to perform specific functions and can be bought separately. They are all non-slip and are designed to work perfectly with our shelving system.



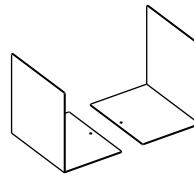
XL BOOKEND

SIZE: H300 X W120 X D310MM
 FINISH: WHITE
 DESIGN: 345 SHELF DEPTH
 PURPOSE: ORGANISE FOLDERS
 PRICE: £18 INC VAT EACH



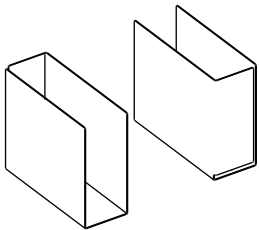
LARGE BOOKEND

SIZE: H220 X W120 X D220MM
 FINISH: WHITE
 DESIGN: 255 SHELF DEPTH
 PURPOSE: SUPPORT LARGE BOOKS
 PRICE: £12 INC VAT EACH



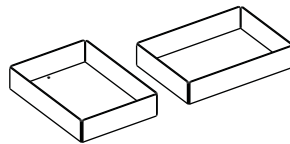
BOOKEND

SIZE: H160 X W120 X D160MM
 FINISH: WHITE
 DESIGN: FITS 345 SHELVES
 PURPOSE: SUPPORT BOOKS
 PRICE: £6.50 INC VAT EACH



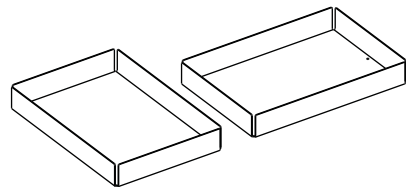
HOLDER

SIZE: H180 X W80 X D220MM
 FINISH: WHITE
 DESIGN: FITS 345 SHELVES
 PURPOSE: MAGAZINES & PAPERS
 PRICE: £18 INC VAT EACH



TRAY

SIZE: H40 X W160 X D220MM
 FINISH: WHITE
 DESIGN: FITS 345 SHELVES
 PURPOSE: HOLD A5 PAPER SIZE
 PRICE: £18 INC VAT EACH



LARGE TRAY

SIZE: H40 X W320 X D220MM
 FINISH: WHITE
 DESIGN: FITS 345 SHELVES
 PURPOSE: HOLD A4 PAPER SIZE
 PRICE: £24 INC VAT EACH

If you need to remove a shelf or reposition one you will need to read the instructions below:

1. First check to see if any of the shelves have been secured in place using self drilling screws, these could be connected through several shelf brackets per shelf.
 2. If no screws are located the shelves are just connected using our VHB adhesive pads between the bracket and underside of a shelf. If screws are located remove them before following the next steps to release a shelf from the bracket.
 3. Hold the front of the shelf with one hand (if shelves are very long (over 2.4m use 2 x people to help)
 4. Use your other hand to pull up the back of the shelf, keeping the shelf front in the same position.
 5. You may need to pull up sharply at the back for the shelf to come away from the adhesive dots.
 6. The dots should be OK to be reused when the shelf is positioned back on top of the shelf brackets. If not use self drilling screws or contact us for more VHB dots.
-

CARE & MAINTENANCE NOTES

Our shelving system is easy to look after.

- To clean your shelving, desks and cabinets use a clean damp cloth (non abrasive) to wipe the painted (powder coated finish) surfaces (or laminated desk top or solid wood front)
- You can use a little bit of soap and water, but for a deeper clean use something with a small amount of vinegar. You can either make up your own (diluted white vinegar and water 1/2 ratio)
- Alternatively use a window cleaner that degreases and is streak free. You can spray this directly onto the powder coated surfaces and wipe clean with a dry non abrasive cloth.
- For our shelves with solid wood fronts use a clean damp cloth (not wet) and wipe the wood in the direction of the grain with a warm solution of mild washing-up liquid, don't apply the diluted washing-up liquid direct to the wood front but just dampen the cloth.
- The wood fronts are solid wood so if in years to come they have picked up too much dirt they can be lightly sanded to renew their finish.
- Walnut shelves occasionally have tung oil a natural tree oil applied to bring out the grain and colour, this can be reapplied if needed. If any of your wood surfaces become wet just wipe them down with a dry cloth to remove any excess liquid.
- After adding larger items or weight to your system, or from time to time check your wall rails are still connected securely to your walls. Check the top of the wall rail to ensure the wall fixings are not failing, the back of the rails should be flat against the wall with no visible movement.
- Never sit or stand on a fitted systems and don't over load the system each shelf bracket is design to take 20kgs but please also follow the setting out principles in the installation guide.
- Standard finishes are powdercoated for all aluminium parts (white satin Ral 9010 or black matt 9005)

Please contact us below at our studio and workshop. Speak to one of our planners for our free planning service.

ON&ON creative systems Ltd.
Unit 6 Executive Park,
Hatfield Road,
Hertfordshire, AL1 4TA

T- +44 (0)1727 834 043
E- Studio@madebyonandon.com
W- www.madebyonandon.com

We are open:

Monday 9.30am – 5.00pm

Tuesday 9.30am – 5.00pm

Wednesday 9.30am – 5.00pm

Thursday 9.30am – 5.00pm

Friday 9.30am – 3.30pm

and closed on UK public holidays.