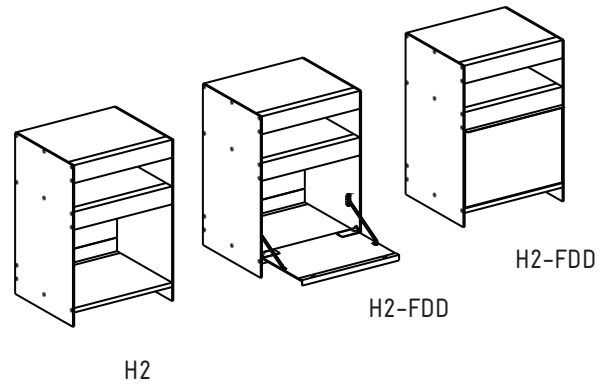
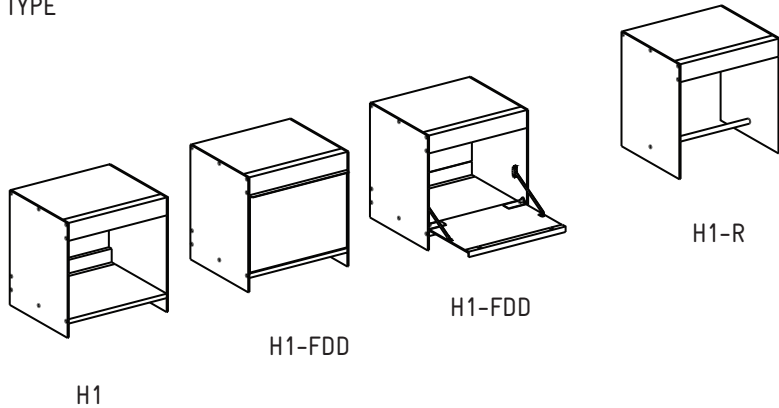


The first iteration of our freestanding shelving system. All our side tables are designed to complement our existing system, but can be used together or standalone. They're constructed from aluminium parts, standard finishes are a black or white powder coating. They are available with fold down doors and closed back panels. Speak to our planners about different widths or bespoke colours.

TYPE



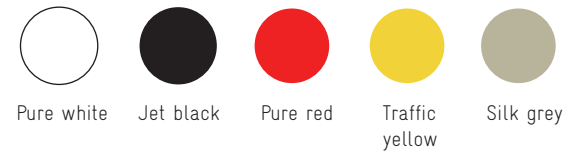
TYPE

PRICE / INC VAT

| | |
|-----------------------------|------|
| H1 - OPEN BACK & FRONT | £224 |
| H1 - FDD WITH DOOR AND BACK | £299 |
| H1 - R WITH ROD | £199 |
| H2 - OPEN BACK & FRONT | £275 |
| H2 - FDD WITH DOOR AND BACK | £350 |

- Prices include free UK mainland shipping.

- All our side tables are made to order with 4-5 week lead times. Standard finishes are black or white, speak with our planners about bespoke colours or wood finishes. Side table rods are available in different colours below.



SIZE

